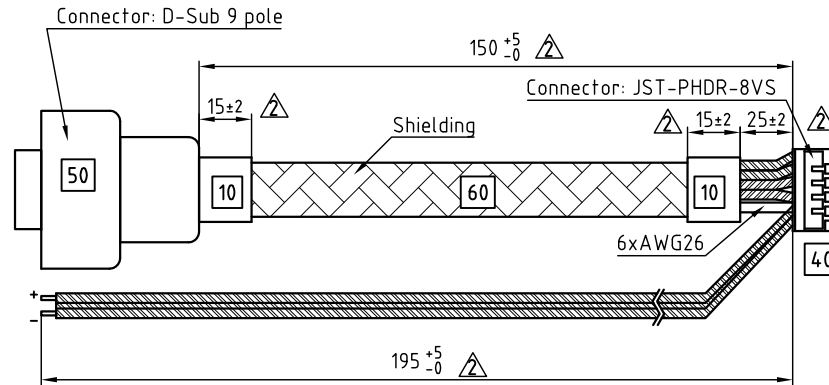


Position	Application 1	Application 2	Lot
10	Heat shrink tube	Length: 440/15mm	1/2
20	JST PHDR-12VS	12 pole	1
30	Wire end sleeve for AWG26	Isolated 8mm	12
40	JST PHDR-8VS	8 pole	1
50	D-Sub 9 pole Female Connector	9 pole	1
60	Shielding	150mm	1

FOR RS485 INTERFACE OR PLC

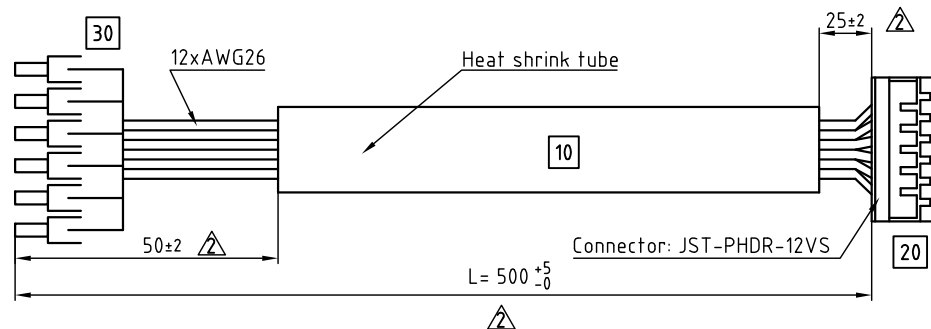
D-SUB FEMALE CONNECTOR		
PIN No.	WIRE COLOUR	ASSIGNMENT
1		NC
2	GN	RS485 Rx+
3		NC
4	GY	RS485 Tx+
5		NC
6		NC
7	YE	RS485 Rx-
8	BU	GND
9	PK	RS485 Tx-
HOUSING	SCHIELDING	



FOR SMCI 12

JST PHDR-8VS		
PIN No.	WIRE COLOUR	ASSIGNMENT
1	BU	GND+SCHIELDING
2		NC
3	YE	RS485 Rx-
4	GN	RS485 Rx+
5	PK	RS485 Tx-
6	GY	RS485 Tx+
7	BN	GND
8	WH	+UB extern

EXTERNAL I/O	
WIRE COLOUR	FUNKTION
GY-BN	GND
BK	INPUT 1
VT	INPUT 2
GY-PK	INPUT 3
RD-BU	INPUT 4
WH-GN	INPUT 5
BN-GN	INPUT 6
WH-BU	ANALOG INPUT
WH-YE	OUTPUT 1
YE-BN	OUTPUT 2
WH-GY	OUTPUT 3
RD	GND



FOR SMCI 12

JST PHDR-12VS	
PIN No.	WIRE COLOUR
1	GY-BN
2	BK
3	VT
4	GY-PK
5	RD-BU
6	WH-GN
7	BN-GN
8	WH-BU
9	WH-YE
10	YE-BN
11	WH-GY
12	RD

2	CHANGE TOLERANCE	06.06.14	J.D.	 <b>Nanotec</b> <sup>®</sup> PLUG & DRIVE ZK-SMCI12	SCALE FREE	APVD	G.S.	11.06.10	CABLE SET SMCI12
1	CAN ASSIGNMENT REMOVED	19.07.10	J.W.		X ±0.5	CHKD			
REV	DESCRIPTION	DATE	APVD		1PL ±0.2	DRN	J.W.	11.06.10	ZK-SMCI12
					2PL ±0.1	SIGNATURE	DATE		
					ANGLE ±30'				