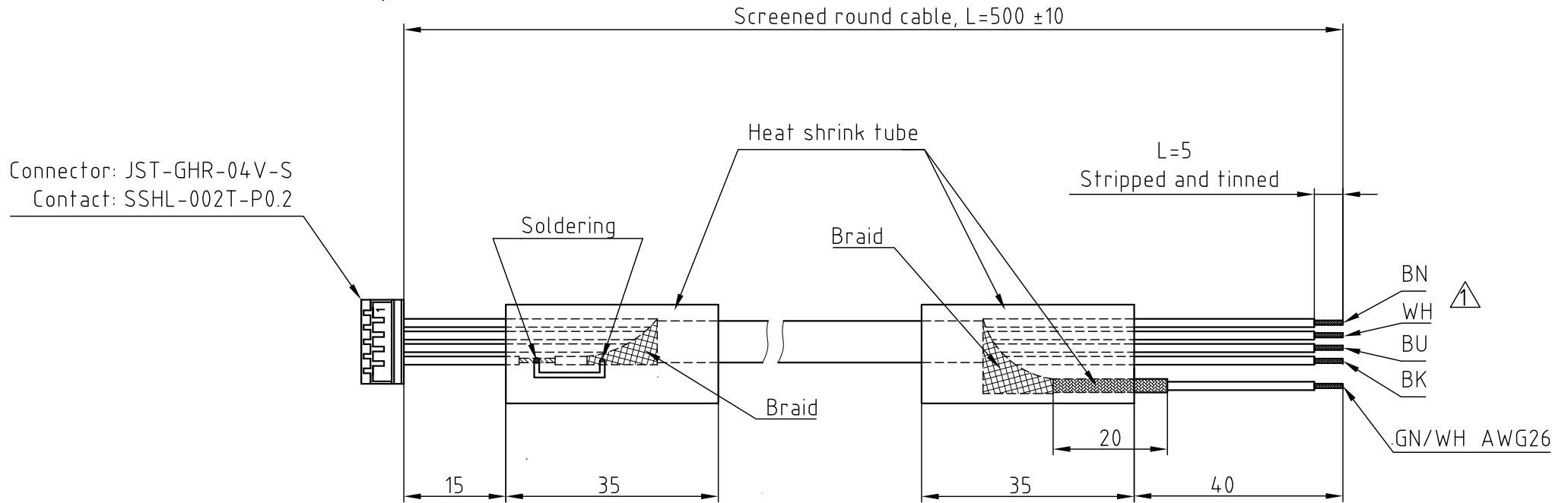


DIMENSION (UNIT : mm)



PIN ASSIGNMENT		
PIN NO.	COLOR	FUNCTION
1	BN \triangle	+UB logic
2	WH \triangle	CAN+
3	BU	CAN-
4	BK	GND
	GN/ WH (Shielding)	GND

				 Nanotec [®] PLUG & DRIVE	SCALE FREE	APVD	G.M.	24.7.13	CABLE-PD4-C-CAN
1	NEW COLOR	16.12.13	J.D.		X ±0.5	CHKD			
REV	DESCRIPTION	DATE	APVD	ZK-PD4-C-CAN-4-500-S	1PL ±0.2	DRN	A.S.	24.7.13	ZK-PD4-C-CAN-4-500-S
					2PL ±0.1	SIGNATURE		DATE	
					ANGLE ±30'				