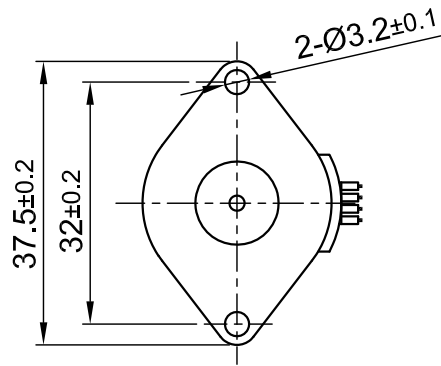
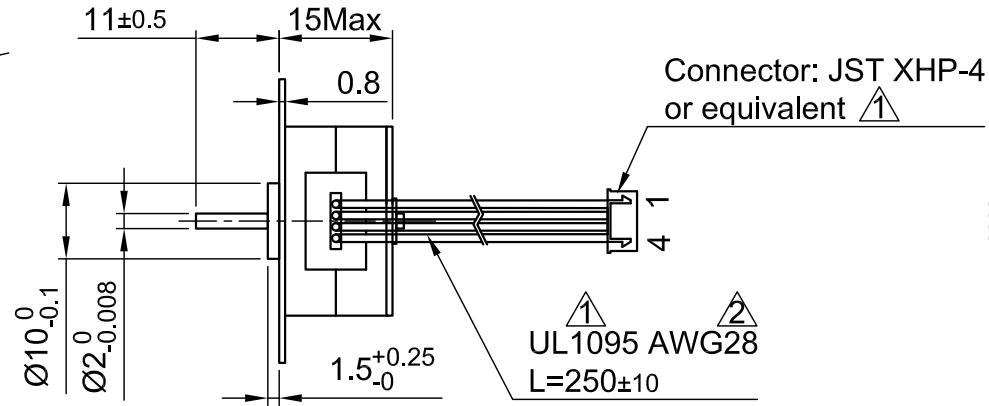


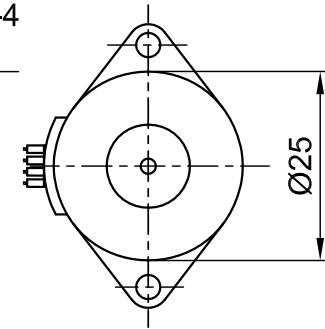
Front view and mounting



Side view



Rear view

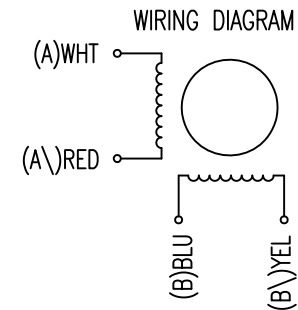


CONNECTION	BIPOLAR
SPECIFICATION	
VOLTAGE (VDC)	3.8
AMPS/PHASE	0.76
RESISTANCE/PHASE (Ohms)@25°C	5±10%
INDUCTANCE/PHASE (mH) @1KHz	3±20%
HOLDING TORQUE (Nm) [lb-in]	0.01 [0.089]
DETENT TORQUE (Nm) [lb-in]	3.0x10 ⁻³ [2.65x10 ⁻²]
STEP ANGLE (°)	7.5
STEP ACCURACY (NON-ACCUM)	±8%
ROTOR INERTIA (Kg-m ²) [lb-in ²]	1.0x10 ⁻⁷ [3.42x10 ⁻⁴]
WEIGHT (Kg) [lb]	0.036 [0.079]
TEMPERATURE RISE: MAX.80°C (MOTOR STANDSTILL; FOR 2 PHASE ENERGIZED)	
AMBIENT TEMPERATURE -10°~ 40°C [14°F ~ 104°F]	
INSULATION RESISTANCE 100 MOhm (UNDER NORMAL TEMPERATURE AND HUMIDITY)	
INSULATION CLASS E 120° [248°F]	
DIELECTRIC STRENGTH 500VAC FOR 1 MIN. (BETWEEN THE MOTOR COILS AND THE MOTOR CASE)	
AMBIENT HUMIDITY MAX. 85% (NO CONDENSATION)	

TYPE OF CONNECTION (EXTERN)	MOTOR			
	BIPOLAR	CONNECTOR PIN NO.	LEADS	WINDING
A —	1	WHT	A	
A\ —	2	RED	A\	
B —	3	BLU	B	
B\ —	4	YEL	B\	

FULL STEP 2 PHASE-Ex.,
WHEN FACING MOUNTING END (X)

STEP	A	B	A\	B\	CCW
1	+	+	-	-	↓
2	-	+	+	-	↑
3	-	-	+	+	↓
4	+	-	-	+	↑



3	REMOVE LOAD SPEC.	28.02.14	J.D.
2	NEW AWG OF WIRING	27.04.11	J.W.
1	AMBIENT TEMP.+TOLERANCE OF CABLE+CONNECTOR	09.03.11	J.W.
REV	DESCRIPTION	DATE	APVD



SP2575M0704-A

SCALE FREE	APVD	S.Ha.	12.03.07
X ±0.5	CHKD		
1PL ±0.2	DRN	J.W.	13.11.06
2PL ±0.1	SIGNATURE	DATE	
ANGLE ±30'			

STEPPING MOTOR

DWG.NO

SP2575M0704-A