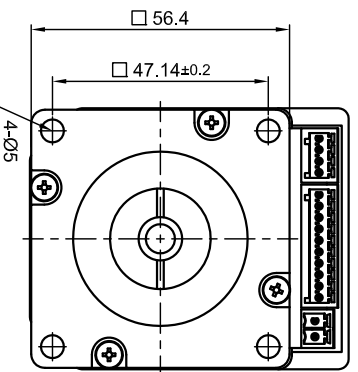
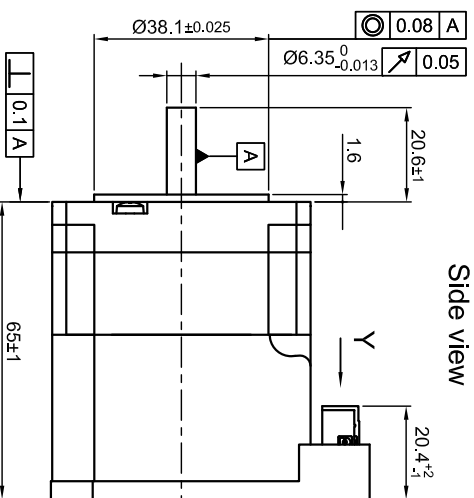


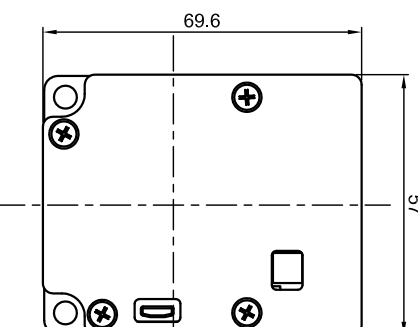
Front view and mounting



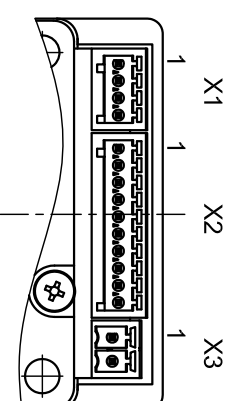
Side view



Rear view

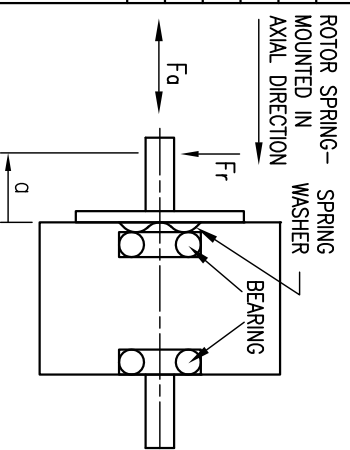


Y view



SPECIFICATION	CONNECTION
VOLTAGE (VDC)	BIPOLAR
AMPS/PHASE(A)	12 TO 48
HOLDING TORQUE (Nm) [lb-in]	4.2
DETENT TORQUE (Nm) [lb-in]	0.537 [4.752]
STEP ANGLE (°)±ACCURACY	0.0147 [0.13]
WEIGHT (Kg) [lb]	1.8±5% TO MICROSTEP 0.6 [1.32]

PERMISSIBLE RADIAL+AXIAL FORCE



OVERTEMPERATURE PROTECTION (ELECTRONICS): 75°C		AXIAL-FORCE F_a (N)		$F_a=10$
AMBIENT TEMPERATURE -10°~ 50°C [14°F ~ 122°F] (HIGHER TEMPERATURE REDUCES DUTY CYCLE)		DISTANCE a (mm)		20
INSULATION RESISTANCE 100 Mohm (UNDER NORMAL TEMPERATURE AND HUMIDITY)		RADIAL-FORCE F_r (N)		52
INSULATION CLASS B 130° [266°F]		SHAFT PLAY (mm)		AXIAL 0.2Mmx RADIAL 0.02
DIELECTRIC STRENGTH 500VAC FOR 1 MIN. (BETWEEN THE MOTOR COILS AND THE MOTOR CASE)		AT LOAD MAX: (N)		200 4.5
AMBIENT HUMIDITY MAX. 85% (NO CONDENSATION)				

REV	DESCRIPTION	DATE	DRN	Surface specification DIN ISO 1302	General tolerances DIN ISO 2768-cH	Work piece edge DIN ISO 13715

APVD	CHKD	DRN	SIGNATURE	DATE
G.M.	L.B	GYQ		01.07.16

REV	DESCRIPTION	DATE	DRN	Surface specification DIN ISO 1302	General tolerances DIN ISO 2768-cH	Work piece edge DIN ISO 13715

APVD	CHKD	DRN	SIGNATURE	DATE
G.M.	L.B	GYQ		01.07.16

APVD	CHKD	DRN	SIGNATURE	DATE
G.M.	L.B	GYQ		01.07.16

APVD	CHKD	DRN	SIGNATURE	DATE
G.M.	L.B	GYQ		01.07.16

APVD	CHKD	DRN	SIGNATURE	DATE
G.M.	L.B	GYQ		01.07.16

APVD	CHKD	DRN	SIGNATURE	DATE
G.M.	L.B	GYQ		01.07.16

APVD	CHKD	DRN	SIGNATURE	DATE
G.M.	L.B	GYQ		01.07.16

APVD	CHKD	DRN	SIGNATURE	DATE
G.M.	L.B	GYQ		01.07.16

APVD	CHKD	DRN	SIGNATURE	DATE
G.M.	L.B	GYQ		01.07.16

APVD	CHKD	DRN	SIGNATURE	DATE
G.M.	L.B	GYQ		01.07.16

APVD	CHKD	DRN	SIGNATURE	DATE
G.M.	L.B	GYQ		01.07.16

APVD	CHKD	DRN	SIGNATURE	DATE
G.M.	L.B	GYQ		01.07.16

APVD	CHKD	DRN	SIGNATURE	DATE
G.M.	L.B	GYQ		01.07.16

APVD	CHKD	DRN	SIGNATURE	DATE
G.M.	L.B	GYQ		01.07.16

APVD	CHKD	DRN	SIGNATURE	DATE
G.M.	L.B	GYQ		01.07.16

APVD	CHKD	DRN	SIGNATURE	DATE
G.M.	L.B	GYQ		01.07.16

APVD	CHKD	DRN	SIGNATURE	DATE
G.M.	L.B	GYQ		01.07.16

APVD	CHKD	DRN	SIGNATURE	DATE
G.M.	L.B	GYQ		01.07.16

APVD	CHKD	DRN	SIGNATURE	DATE
G.M.	L.B	GYQ		01.07.16

APVD	CHKD	DRN	SIGNATURE	DATE
G.M.	L.B	GYQ		01.07.16

APVD	CHKD	DRN	SIGNATURE	DATE
G.M.	L.B	GYQ		01.07.16

APVD	CHKD	DRN	SIGNATURE	DATE
G.M.	L.B	GYQ		01.07.16

APVD	CHKD	DRN	SIGNATURE	DATE
G.M.	L.B	GYQ		01.07.16

APVD	CHKD	DRN	SIGNATURE	DATE
G.M.	L.B	GYQ		01.07.16

APVD	CHKD	DRN	SIGNATURE	DATE
G.M.	L.B	GYQ		01.07.16

APVD	CHKD	DRN	SIGNATURE	DATE
G.M.	L.B	GYQ		01.07.16

APVD	CHKD	DRN	SIGNATURE	DATE
G.M.	L.B	GYQ		01.07.16

APVD	CHKD	DRN	SIGNATURE	DATE
G.M.	L.B	GYQ		01.07.16

APVD	CHKD	DRN	SIGNATURE	DATE
G.M.	L.B	GYQ		01.07.16

APVD	CHKD	DRN	SIGNATURE	DATE
G.M.	L.B	GYQ		01.07.16

APVD	CHKD	DRN	SIGNATURE	DATE
G.M.	L.B	GYQ		01.07.16

APVD	CHKD	DRN	SIGNATURE	DATE
G.M.	L.B	GYQ		01.07.16

APVD	CHKD	DRN	SIGNATURE	DATE
G.M.	L.B	GYQ		01.07.16

APVD	CHKD	DRN	SIGNATURE	DATE
G.M.	L.B	GYQ		01.07.16

APVD	CHKD	DRN	SIGNATURE	DATE
G.M.	L.B	GYQ		01.07.16

APVD	CHKD	DRN	SIGNATURE	DATE
G.M.	L.B	GYQ		01.07.16

APVD	CHKD	DRN	SIGNATURE	DATE
G.M.	L.B	GYQ		01.07.16

APVD	CHKD	DRN	SIGNATURE	DATE
G.M.	L.B	GYQ		01.07.16

APVD	CHKD	DRN	SIGNATURE	DATE
G.M.	L.B	GYQ		01.07.16

APVD	CHKD	DRN	SIGNATURE	DATE
G.M.	L.B	GYQ		01.07.16

APVD	CHKD	DRN	SIGNATURE	DATE
G.M.	L.B	GYQ		01.07.16

APVD	CHKD	DRN	SIGNATURE	DATE
G.M.	L.B	GYQ		01.07.16

APVD	CHKD	DRN	SIGNATURE	DATE
G.M.	L.B	GYQ		01.07.16

APVD	CHKD	DRN	SIGNATURE	DATE
G.M.	L.B	GYQ		01.07.16

APVD	CHKD	DRN	SIGNATURE	DATE
G.M.	L.B	GYQ		01.07.16

APVD	CHKD	DRN	SIGNATURE	DATE
G.M.	L.B	GYQ		01.07.16

APVD	CHKD	DRN	SIGNATURE	DATE
G.M.	L.B	GYQ		01.07.16

APVD	CHKD	DRN	SIGNATURE	DATE
G.M.	L.B	GYQ		01.07.16

APVD	CHKD	DRN	SIGNATURE	DATE
G.M.	L.B	GYQ		01.07.16

APVD	CHKD	DRN	SIGNATURE	DATE
G.M.	L.B	GYQ		01.07.16

APVD	CHKD	DRN	SIGNATURE	DATE
G.M.	L.B	GYQ		01.07.16

APVD	CHKD	DRN	SIGNATURE	DATE
G.M.	L.B	GYQ		01.07.16

APVD	CHKD	DRN	SIGNATURE	DATE
G.M.	L.B	GYQ		01.07.16

APVD	CHKD	DRN	SIGNATURE	DATE
G.M.	L.B	GYQ		01.07.16

APVD	CHKD	DRN	SIGNATURE	DATE
G.M.	L.B	GYQ		01.07.16