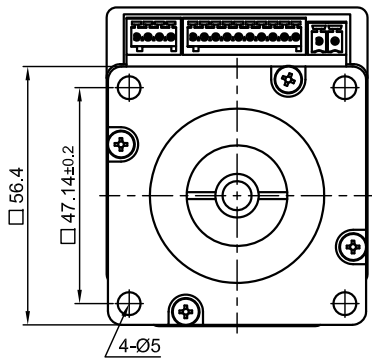
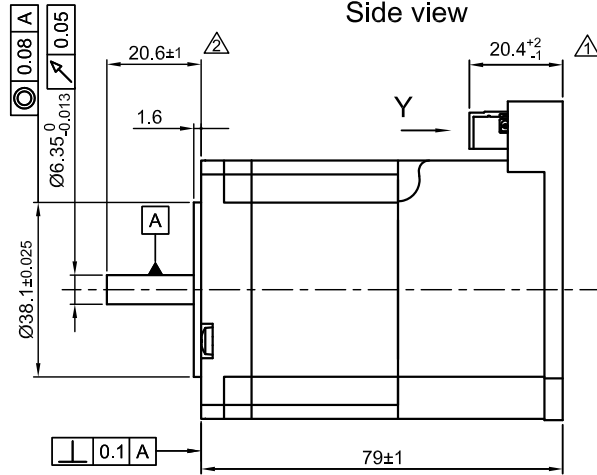


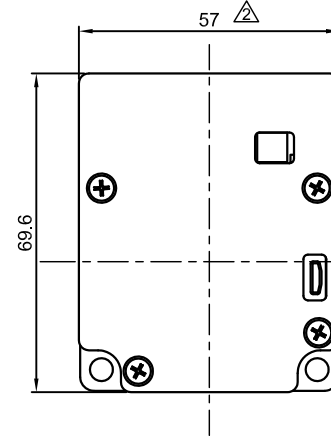
Front view and mounting



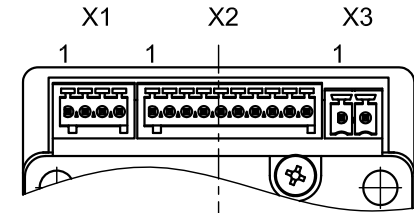
Side view



Rear view



Y view



CONNECTION		BIPOLAR		PERMISSIBLE RADIAL+AXIAL FORCE				X1, Phoenix MCV-04		X2, Phoenix MCV-10																																	
SPECIFICATION								<table border="1"> <thead> <tr> <th>PIN No.</th> <th>Function</th> </tr> </thead> <tbody> <tr><td>1</td><td>GND</td></tr> <tr><td>2</td><td>Analog Input(0-10V)</td></tr> <tr><td>3</td><td>Output (open drain)</td></tr> <tr><td>4</td><td>+12V (Voltage Output, max.100mA)</td></tr> </tbody> </table>		PIN No.	Function	1	GND	2	Analog Input(0-10V)	3	Output (open drain)	4	+12V (Voltage Output, max.100mA)	<table border="1"> <thead> <tr> <th>PIN No.</th> <th>Function</th> </tr> </thead> <tbody> <tr><td>1</td><td>Input1 (+24V)</td></tr> <tr><td>2</td><td>Input2 (+24V)</td></tr> <tr><td>3</td><td>Input3 (+24V)</td></tr> <tr><td>4</td><td>-Enable +5/+24V</td></tr> <tr><td>5</td><td>Enable +5/+24V</td></tr> <tr><td>6</td><td>-Direction +5/+24V</td></tr> <tr><td>7</td><td>Direction +5/+24V</td></tr> <tr><td>8</td><td>-Clock +5/+24V</td></tr> <tr><td>9</td><td>Clock +5/+24V</td></tr> <tr><td>10</td><td>GND</td></tr> </tbody> </table>		PIN No.	Function	1	Input1 (+24V)	2	Input2 (+24V)	3	Input3 (+24V)	4	-Enable +5/+24V	5	Enable +5/+24V	6	-Direction +5/+24V	7	Direction +5/+24V	8	-Clock +5/+24V	9	Clock +5/+24V	10	GND
PIN No.	Function																																										
1	GND																																										
2	Analog Input(0-10V)																																										
3	Output (open drain)																																										
4	+12V (Voltage Output, max.100mA)																																										
PIN No.	Function																																										
1	Input1 (+24V)																																										
2	Input2 (+24V)																																										
3	Input3 (+24V)																																										
4	-Enable +5/+24V																																										
5	Enable +5/+24V																																										
6	-Direction +5/+24V																																										
7	Direction +5/+24V																																										
8	-Clock +5/+24V																																										
9	Clock +5/+24V																																										
10	GND																																										
VOLTAGE (VDC)	12 TO 48			AXIAL-FORCE F_a (N)		$F_a=10$		<table border="1"> <thead> <tr> <th>PIN No.</th> <th>Function</th> </tr> </thead> <tbody> <tr><td>1</td><td>+VCC(12-48V)</td></tr> <tr><td>2</td><td>GND</td></tr> </tbody> </table>		PIN No.	Function	1	+VCC(12-48V)	2	GND																												
PIN No.	Function																																										
1	+VCC(12-48V)																																										
2	GND																																										
AMPS/PHASE(A)	4.2			DISTANCE a (mm)		20																																					
HOLDING TORQUE (Nm) [lb-in]	1.24 [10.98]			RADIAL-FORCE F_r (N)		52																																					
DETENT TORQUE (Nm) [lb-in]	0.04 [0.354]																																										
STEP ANGLE (°)±ACCURACY	1.8±5% TO MICROSTEP																																										
WEIGHT (Kg) [lb]	0.91 [2.01]																																										
OVERTEMPERATURE PROTECTION (ELECTRONICS): 75°C																																											
AMBIENT TEMPERATURE -10°~ 50°C [14°F ~ 122°F] (HIGHER TEMPERATURE REDUCES DUTY CYCLE)																																											
INSULATION RESISTANCE 100 MΩm (UNDER NORMAL TEMPERATURE AND HUMIDITY)																																											
INSULATION CLASS B 130° [266°F]																																											
DIELECTRIC STRENGTH 500VAC FOR 1 MIN. (BETWEEN THE MOTOR COILS AND THE MOTOR CASE)																																											
AMBIENT HUMIDITY MAX. 85% (NO CONDENSATION)																																											
03	NEW HOLDING TORQUE	11.10.16	GYQ			APVD	G.M.	01.08.13	PLUG&DRIVE MOTOR																																		
02	REWORK DRAW/CHANGE TOLERANCE	01.07.16	GYQ			CHKD																																					
01	TOLERANCE OF CONNECTOR LENGTH	28.01.14	GYQ	Surface specification	General tolerances	Work piece edge	DRN	GYQ	01.08.13	DWG.NO																																	
REV	DESCRIPTION	DATE	DRN	DIN ISO 1302	DIN ISO 2768-cH	DIN ISO 13715	SIGNATURE		DATE	PD4-C5918M4204-E-01																																	