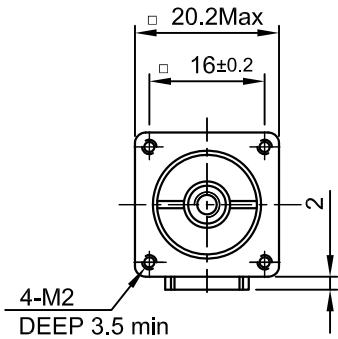
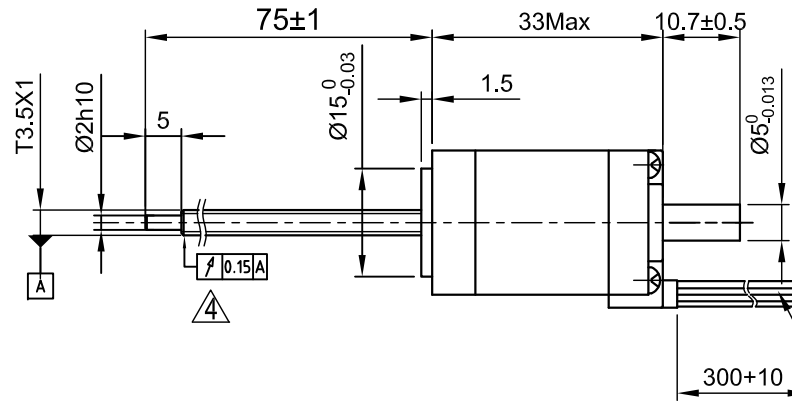


Front view and mounting

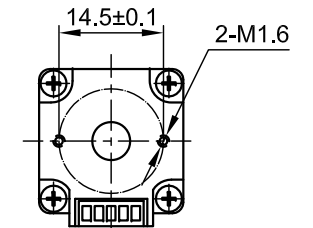


Side view



Connector Type:  
JST XHP-4  
Contact:  
SXH-001T-P0.6  
UL1061 AWG26

Rear view



CONNECTION	BIPOLAR	PARALLEL
SPECIFICATION		
AMPS/PHASE	0.6	
RESISTANCE/PHASE (Ohms)@25°C	6.5±15%	
INDUCTANCE/PHASE (mH) @1KHz	2±20%	△
THUST (N)(lb)	30[6.74]	△
PEAK THRUST (N) [lb]	40[8.99]	△
PEAK CURRENT (A)	0.8	△
RESOLUTION(mm/STEP)	0.005	
STATIC THRUST(N)[lb](NO CURRENT)	>30[6.74]	△
MAX.SPEED(mm/sec.)at48V	40	
MAX.SPEED WHIT MAX.THRUST(mm/sec.)at48V	1	△
STEP ANGLE (°) +ACCURACY	1.8 ± 5% (NON-ACCUM)	
WEIGHT (Kg) [lb]	0.06 [0.132]	
TEMPERATURE RISE: MAX.80°C (MOTOR STANDSTILL; FOR 2 PHASE ENERGIZED)		
AMBIENT TEMPERATURE -10°~ 50°C [14°F ~ 122°F]		
INSULATION RESISTANCE 100 MOhm (UNDER NORMAL TEMPERATURE AND HUMIDITY)		
INSULATION CLASS B 130° [266°F]		
DIELECTRIC STRENGTH 500VAC FOR 1 MIN. (BETWEEN THE MOTOR COILS AND THE MOTOR CASE)		
AMBIENT HUMIDITY MAX. 85% (NO CONDENSATION)		

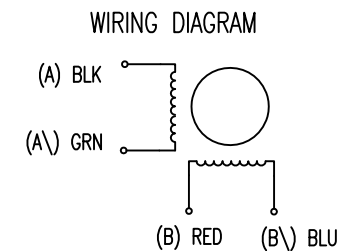
Please regard the application note at [www.nanotec.com](http://www.nanotec.com) for further informations.

Shaft play is adjustable at the motor.

PIN NO	TYPE OF CONNECTION (EXTERN)			MOTOR	
	BIPOLAR	LEADS	WINDING		
1	A	BLK	A		
2	A\	GRN	A\		
3	B	RED	B		
4	B\	BLU	B\		

FULL STEP 2 PHASE-Ex., WHEN FACING MOUNTING END (X)

STEP	A	B	A\	B\	CCW	CW
1	+	+	-	-	↓	↑
2	-	+	+	-	↓	↑
3	-	-	+	+	↓	↑
4	+	-	-	+	↓	↑



4	ADD TO RUN-OUT	23.06.16	B.L.
3	CHANGE DATA	30.07.14	B.L.
2	CHANGE DATA	13.03.14	B.L.
REV	DESCRIPTION	DATE	DRN

**Nanotec**  
PLUG & DRIVE

LS2018S0604-T3,5-75

SCALE	FREE	APVD	HZQ	17.07.12
X	±0.5	CHKD	GYQ	17.07.12
1PL	±0.2	DRN	L B	17.07.12
2PL	±0.1	SIGNATURE	DATE	
ANGLE	±30'			

**LINEAR AKTUATOR**

DWG.NO LS2018S0604-T3,5-75