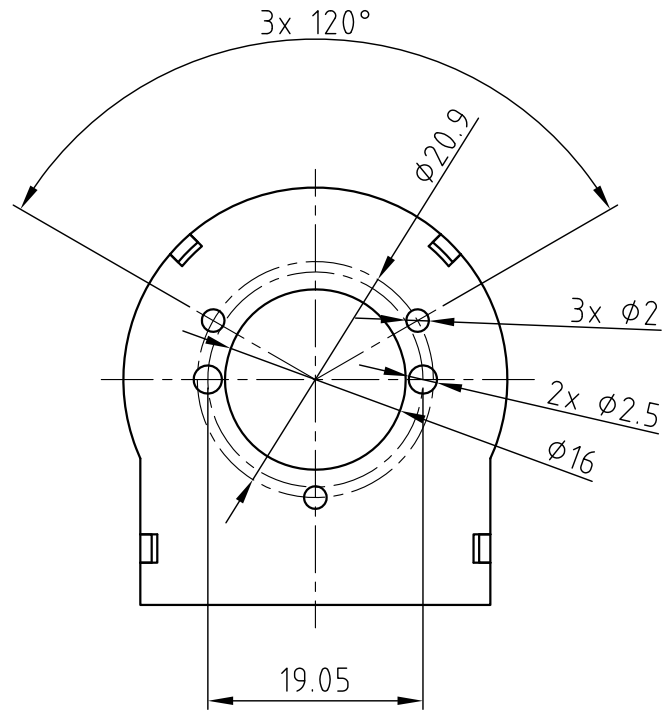
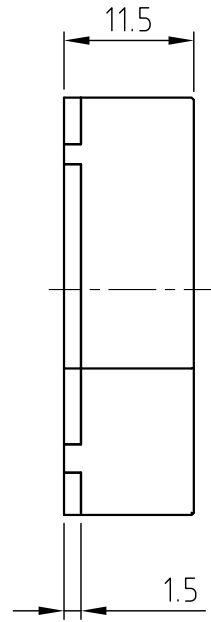
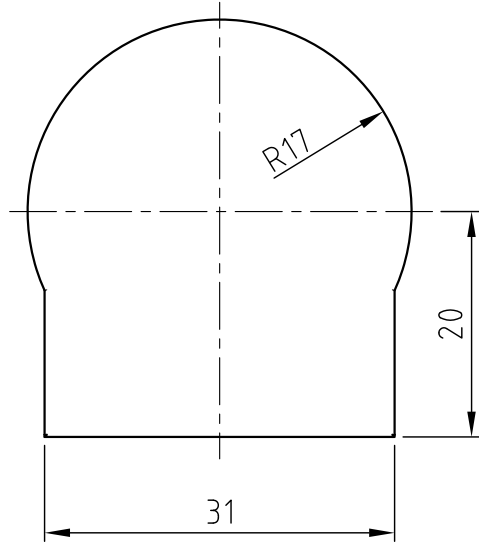
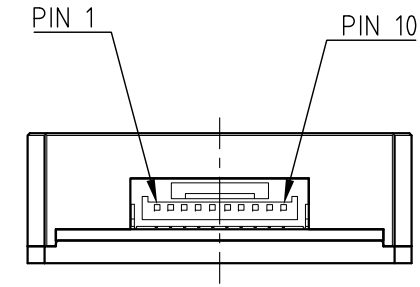
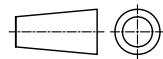
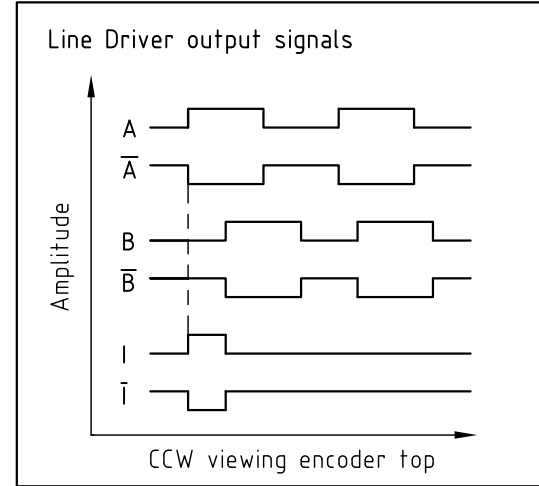


DIMENSION (UNIT : mm)



PIN assignment JST GH - 10pole		Connecting cable ZK-NOE1-10-500-S
PIN No.	Function	Colour
1	GND	GN/WH (shielding)
2	A	GN
3	A\	BN
4	B\	GY
5	B	WH
6	I\	YE
7	I	OG
8	GND	BK
9	+ 5V (NOE2-05)/ +24V (NOE2-24)	RD
10	GND	GN/WH (shielding)



Surface specification  
DIN ISO 1302

General tolerances  
DIN ISO 2768- cK

Work piece edge  
DIN ISO 13715

**Nanotec**<sup>®</sup>  
PLUG & DRIVE

Name Date

DRN A.S. 06.04.16

CHKD

NOE2  
(1000, 2000, 4000 CPR)

REV	DESCRIPTION	DATE	NAME