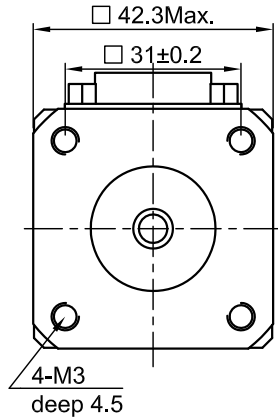
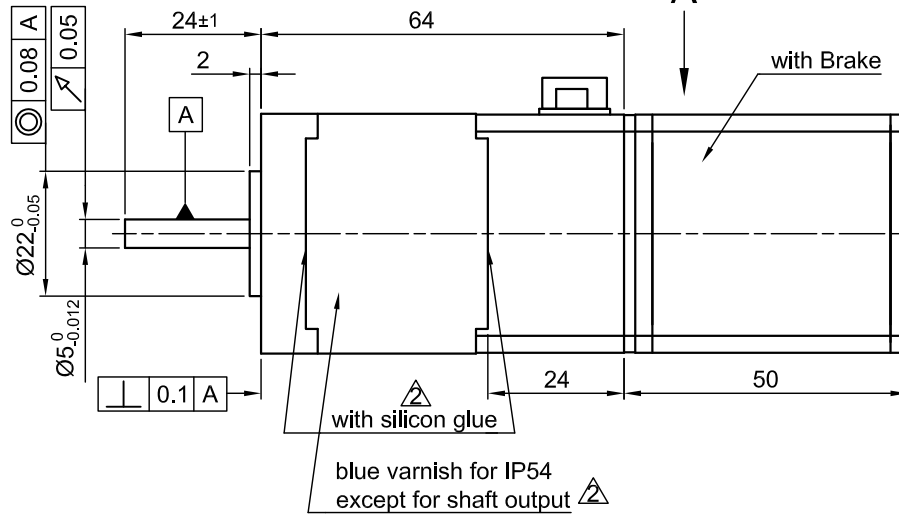


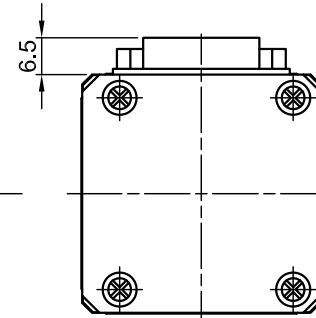
Front view and mounting



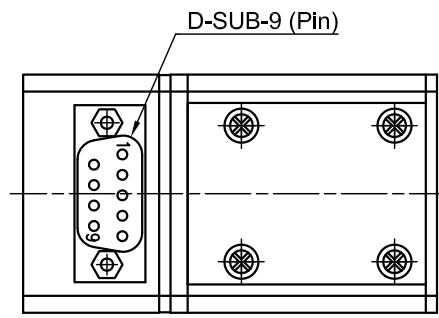
Side view



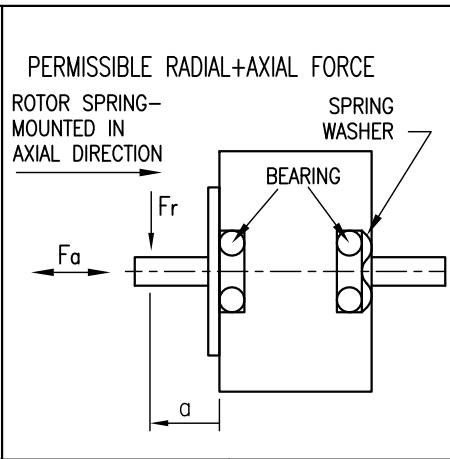
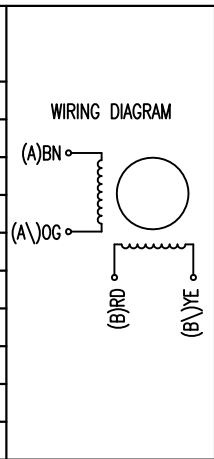
Rear view



Top view A



SPECIFICATION	CONNECTION	BIPOLAR
VOLTAGE (VDC)		2.8
AMPS/PHASE		1.8
RESISTANCE/PHASE (Ohms)@25°C		1.75±15%
INDUCTANCE/PHASE (mH) @1KHz		5.4±20%
HOLDING TORQUE (Nm) [lb-in]		0.5 [4.425]
DETENT TORQUE (Nm) [lb-in]		0.022 [0.195]
STEP ANGLE (°) ± ACCURACY		1.8 ± 5%
BACK-EMF (V) (300 U/min)		6.9
ROTOR INERTIA (Kg-m <sup>2</sup> ) [lb-in <sup>2</sup> ]		9.5x10 <sup>-6</sup> [0.0324] $\Delta$
WEIGHT (Kg) [lb]		0.54 [1.19] $\Delta$



TYPE OF CONNECTION (EXTERN)	MOTOR		
	BIPOLAR	LEADS	WINDING
PIN NO			
1	A —	BN	A
2	A \ —	OG	A \
3	B —	RD	B
4	B \ —	YE	B \

MOTOR D-SUB-9	
PIN	ASSIGNMENT
1	A
2	A \
3	B
4	B \
5	NC
6	NC
7	BRAKE
8	BRAKE/GND
9	NC
HOUSING	GND/SHIELDING

FULL STEP 2 PHASE-Ex., WHEN FACING MOUNTING END (X)

STEP	A	B	A \	B \	
1	+	+	-	-	CCW
2	-	+	+	-	
3	-	-	+	+	
4	+	-	-	+	CW

TEMPERATURE RISE: MAX.80°C (MOTOR STANDSTILL; FOR 2 PHASE ENERGIZED)	AXIAL-FORCE Fa (N)	Fa=10
AMBIENT TEMPERATURE -10~ 50°C [14°F ~ 122°F]	DISTANCE a (mm)	20
INSULATION RESISTANCE 100 MOhm (UNDER NORMAL TEMPERATURE AND HUMIDITY)	RADIAL-FORCE Fr (N)	28
INSULATION CLASS B 130° [266°F]		AXIAL    RADIAL
DIELECTRIC STRENGTH 500VAC FOR 1 MIN. (BETWEEN THE MOTOR COILS AND THE MOTOR CASE)	SHAFT PLAY (mm)	0.08    0.02
AMBIENT HUMIDITY MAX. 85% (NO CONDENSATION)	AT LOAD MAX: (N)	4.5    4.5

2	WITH VARNISH+SILICON	18.02.10	J.W.
1	WEIGHT+ROTOR INERTIA	04.06.07	J.W.
REV	DESCRIPTION	DATE	APVD

**Nanotec**  
PLUG & DRIVE

AD4118L1804-B

SCALE FREE	APVD	S.Ha.	23.01.07
X ±0.5	CHKD		
1PL ±0.2	DRN	J.W.	23.01.07
2PL ±0.1			
ANGLE ±30'	SIGNATURE	DATE	

**STEPPING MOTOR**

DWG.NO AD4118L1804-B