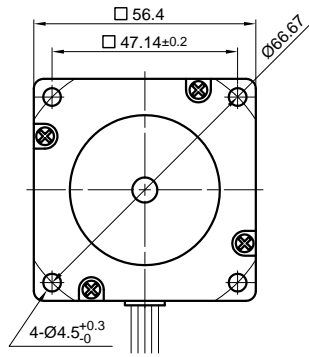
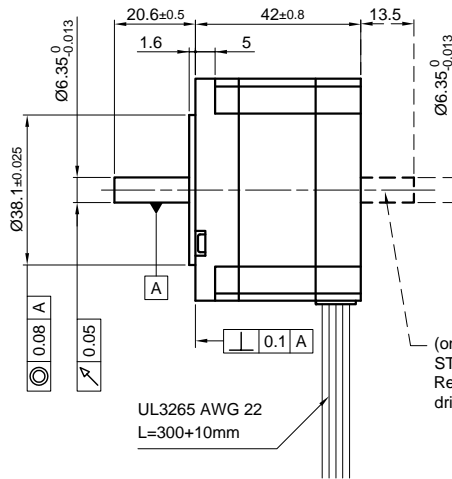


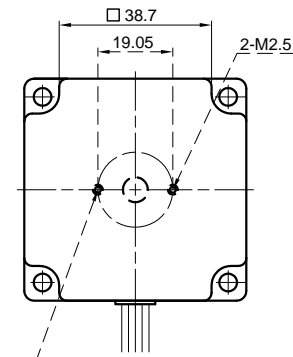
Front view and mounting



Side view



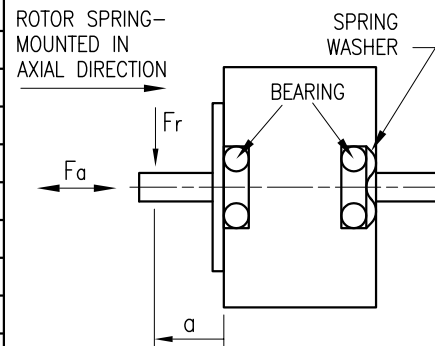
Rear view



(only for type ST5818X1008-B Ready for encoder + driver mount)

SPECIFICATION	CONNECTION	UNIPOLAR OR BIPOLAR-1 WINDING	BIPOLAR	
			SERIAL	PARALLEL
VOLTAGE (VDC)		5.0		
AMPS/PHASE		1.0	0.71	1.41
RESISTANCE/PHASE (Ohms)@25°C		5.0±15%	10±15%	2.5±15%
INDUCTANCE/PHASE (mH) @1KHz		5.4±20%	21.6±20%	5.4±20%
HOLDING TORQUE (Nm) [lb-in]		0.38 [3.363]	0.537 [4.752]	0.537 [4.752]
DETENT TORQUE (Nm) [lb-in]		0.0147 [0.13]		
STEP ANGLE (°)		1.8		
STEP ACCURACY (NON-ACCUM)		±5%		
ROTOR INERTIA (Kg-m <sup>2</sup> ) [lb-in <sup>2</sup> ]		0.135x10 <sup>-4</sup> [0.046]		
WEIGHT (Kg) [lb]		0.49 [1.08]		
TEMPERATURE RISE: MAX.80°C (MOTOR STANDSTILL; FOR 2 PHASE ENERGIZED)				
AMBIENT TEMPERATURE -10~ 50°C [14°F ~ 122°F]				
INSULATION RESISTANCE 100 MOhm (UNDER NORMAL TEMPERATURE AND HUMIDITY)				
INSULATION CLASS B 130° [266°F]				
DIELECTRIC STRENGTH 500VAC FOR 1 MIN. (BETWEEN THE MOTOR COILS AND THE MOTOR CASE)				
AMBIENT HUMIDITY MAX. 85% (NO CONDENSATION)				

PERMISSIBLE RADIAL+AXIAL FORCE

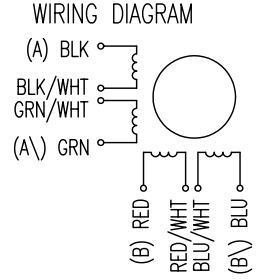


	AXIAL-FORCE Fa (N)			
	Fa=10			
DISTANCE a (mm)	5	10	15	20
RADIAL-FORCE Fr (N)	130	90	70	52
		AXIAL	RADIAL	
SHAFT PLAY (mm)		0.075	0.025	
AT LOAD MAX: (N)		10	5.0	

UNIPOLAR	TYPE OF CONNECTION (EXTERN)			MOTOR	
	1WINDING	BIPOLAR SERIAL	BIPOLAR PARALLEL	LEADS	WINDING
A	A	A	A	BLK	A
COM				BLK/WHT	
A\		A\	A\	GRN/WHT	A\
B	B	B	B	GRN	B
COM				RED	
B\		B\	B\	RED/WHT	B\
				BLU/WHT	
				BLU	

FULL STEP 2 PHASE-Ex., WHEN FACING MOUNTING END (X)

STEP	A	B	A\	B\	
1	+	+	-	-	CCW
2	-	+	+	-	
3	-	-	+	+	
4	+	-	-	+	CW



REV	DESCRIPTION	DATE	APVD	NANOTEC:  ST5818X1008	SCALE FREE	APVD	S.Ha.	16.01.07	STEPPING MOTOR
					X ±0.5 1PL ±0.2 2PL ±0.1 ANGLE ±30'	CHKD			
						DRN	J.W.	10.05.06	DWG.NO
							SIGNATURE	DATE	ST5818X1008