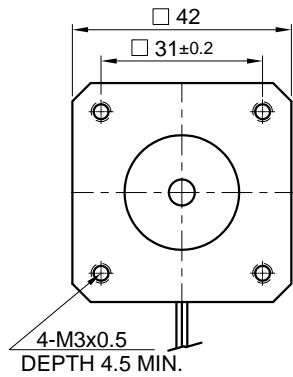
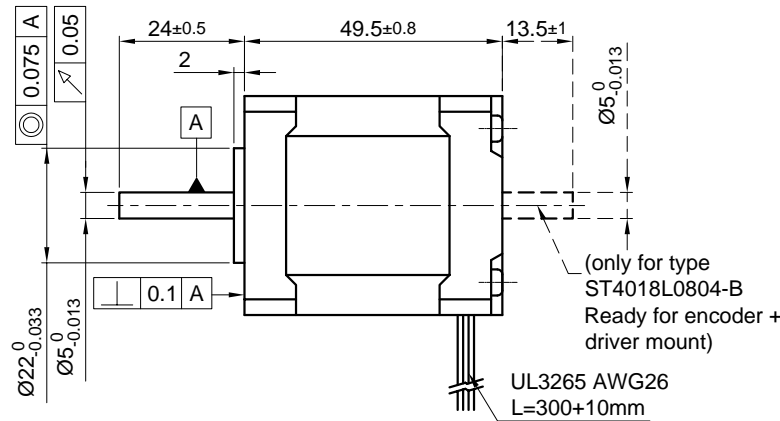


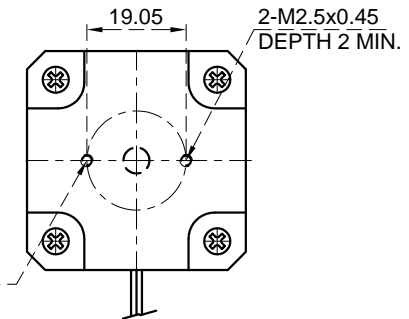
Front view and mounting



Side view

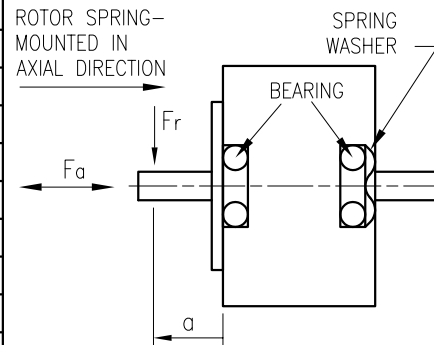


Rear view



CONNECTION	BIPOLAR
SPECIFICATION	
VOLTAGE (VDC)	7.4
AMPS/PHASE	0.8
RESISTANCE/PHASE (Ohms)@25°C	9.3±15%
INDUCTANCE/PHASE (mH) @1KHz	25±20%
HOLDING TORQUE (Nm) [lb-in]	0.52 [4.602]
DETENT TORQUE (Nm) [lb-in]	1.37x10 ⁻² [0.1212]
STEP ANGLE (°)	1.8
STEP ACCURACY (NON-ACCUM)	±5%
ROTOR INERTIA (Kg-m ²) [lb-in ²]	6.65x10 ⁻⁶ [0.0227]
WEIGHT (Kg) [lb]	0.37 [0.82]
TEMPERATURE RISE: MAX.80°C (MOTOR STANDSTILL; FOR 2 PHASE ENERGIZED)	
AMBIENT TEMPERATURE -10~ 50°C [14°F ~ 122°F]	
INSULATION RESISTANCE 100 MOhm (UNDER NORMAL TEMPERATURE AND HUMIDITY)	
INSULATION CLASS B 130° [266°F]	
DIELECTRIC STRENGTH 500VAC FOR 1 MIN. (BETWEEN THE MOTOR COILS AND THE MOTOR CASE)	
AMBIENT HUMIDITY MAX. 85% (NO CONDENSATION)	

PERMISSIBLE RADIAL+AXIAL FORCE

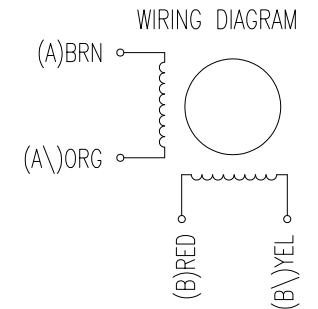


AXIAL-FORCE Fa (N)	Fa=7			
DISTANCE a (mm)	5	10	15	20
RADIAL-FORCE Fr (N)	58	36	26	20
	AXIAL	RADIAL		
SHAFT PLAY (mm)	0.075	0.025		
AT LOAD MAX: (N)	10	5.0		

TYPE OF CONNECTION (EXTERN)	MOTOR	
	LEADS	WINDING
BIPOLAR		
A —	BRN	A
A\ —	ORG	A\
B —	RED	B
B\ —	YEL	B\

FULL STEP 2 PHASE-Ex., WHEN FACING MOUNTING END (X)

STEP	A	B	A\	B\		CCW
1	+	+	-	-	↓	↑
2	-	+	+	-		
3	-	-	+	+		
4	+	-	-	+		
						CW



REV	DESCRIPTION	DATE	APVD	NANOTEC:	SCALE FREE	APVD	S.K.	26.04.06	STEPPING MOTOR
					X ±0.5		CHKD		
					1PL ±0.2		DRN	J.W.	25.04.06
					2PL ±0.1				DWG.NO
					ANGLE ±30'		SIGNATURE	DATE	ST4018L0804