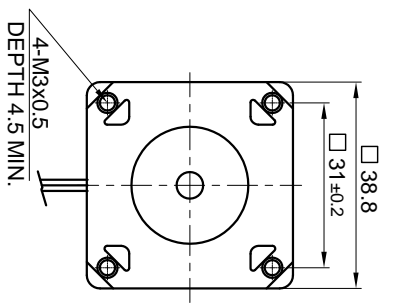
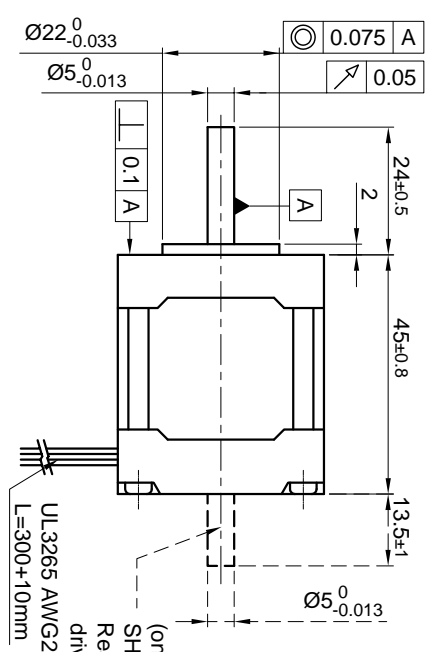


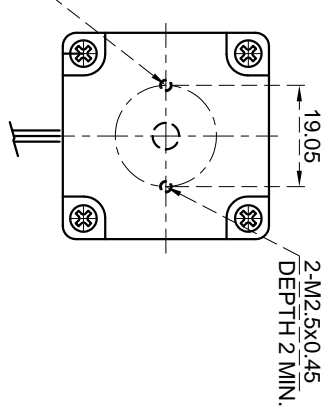
Front view and mounting



Side view

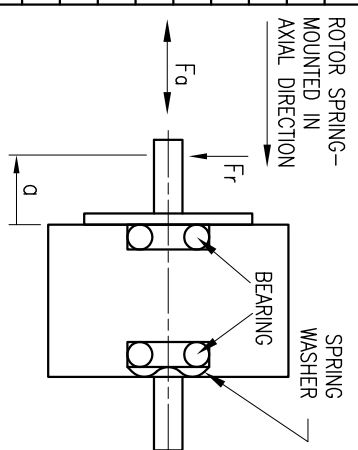


Rear view



CONNECTION	UNIPOLAR OR BIPOLAR-1 WINDING	BIPOLAR SERIAL
SPECIFICATION		
VOLTAGE (VDC)	6	8.48
AMPS/PHASE	0.8	0.57
RESISTANCE/PHASE (Ohms)@25°C	7.5±15%	15±15%
INDUCTANCE/PHASE (mH) @1KHz	10.5±20%	42±20%
HOLDING TORQUE (Nm) [lb-in]	0.186 [1.646]	0.263 [2.328]
DETENT TORQUE (Nm) [lb-in]	9.8x10 ⁻³ [8.673x10 ⁻²]	
STEP ANGLE (°)		0.9
STEP ACCURACY (NON-ACCUM)		±5%
ROTOR INERTIA (kg-m ²) [lb-in ²]		3.6x10 ⁻⁶ [1.23x10 ⁻²]
WEIGHT (kg) [lb]		0.29 [0.639]
TEMPERATURE RISE: MAX.80°C (MOTOR STANDSTILL; FOR 2 PHASE ENERGIZED)		
AMBIENT TEMPERATURE -10°~ 50°C [14°F ~ 122°F]		
INSULATION RESISTANCE 100 Mohm (UNDER NORMAL TEMPERATURE AND HUMIDITY)		
INSULATION CLASS B 130° [266°F]		
DIELECTRIC STRENGTH 500VAC FOR 1 MIN. (BETWEEN THE MOTOR COILS AND THE MOTOR CASE)		
AMBIENT HUMIDITY MAX. 85% (NO CONDENSATION)		

PERMISSIBLE RADIAL+AXIAL FORCE



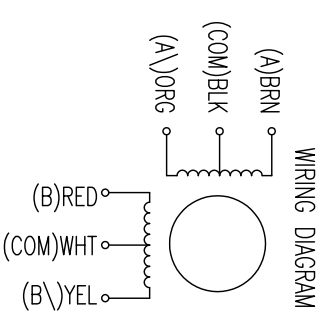
AXIAL-FORCE Fa (N)	Fr=7
DISTANCE a (mm)	5 10 15 20
RADIAL-FORCE Fr (N)	58 36 26 20
AXIAL	0.075
RADIAL	0.025
SHAFT PLAY (mm)	0.075
AT LOAD MAX: (N)	10

for >speed for <speed

FULL STEP 2 PHASE-Ex, WHEN FACING MOUNTING END (X)

STEP	A	B	A\	B\	CCW
1	+	+	-	-	
2	-	+	+	-	
3	-	-	+	+	
4	+	-	-	+	

TYPE OF CONNECTION (EXTERN)		MOTOR	
UNIPOLAR	BIPOLAR	LEADS	WINDING
A	A	BRN	A
COM	COM	BLK	COM
A\	A\	ORG	A\
B	B	RED	B
COM	COM	WHT	COM
B\	B\	YEL	B\



REV	DESCRIPTION	DATE	APVD

NANOTEC:
SH4009L0806

SCALE	FREE	APVD
X	±0.5	CHKD
1PL	±0.2	DRN
2PL	±0.1	
ANGLE	±30°	

S.K. 20.06.06
J.W. 20.06.06

STEPPING MOTOR
DWG.NO SH4009L0806