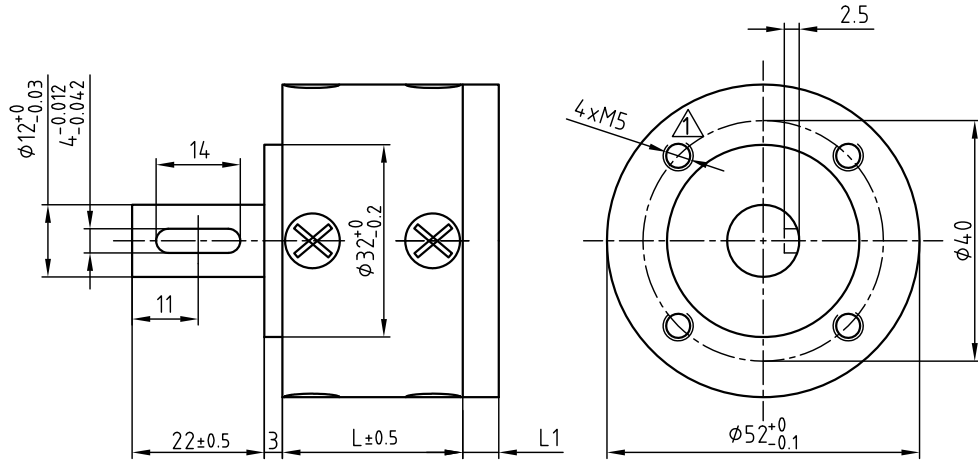
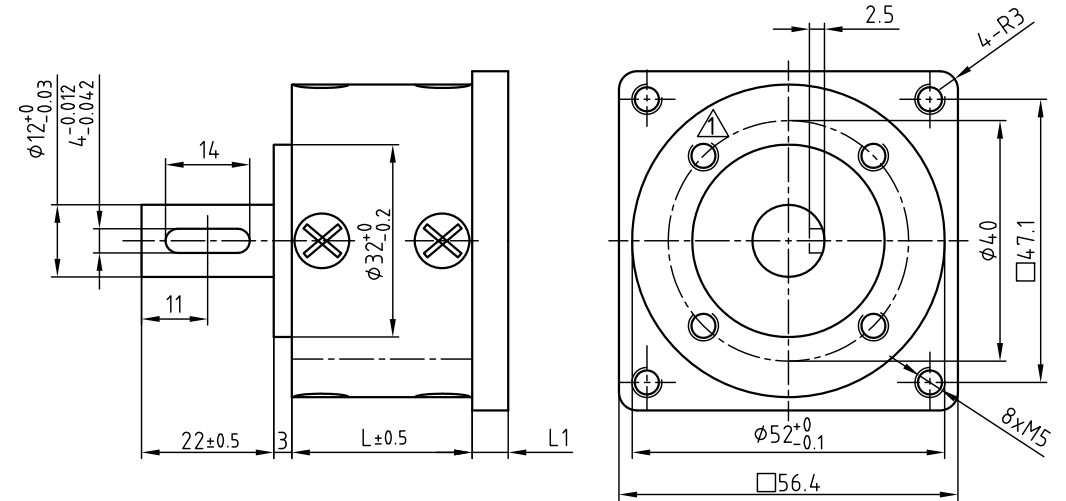


DIMENSION (UNIT : mm)

GEARBOX WITH CONNECTION FLANGE FOR ST41..; ST42..



GEARBOX WITH CONNECTION FLANGE FOR ST57..; ST59.. (except for ST5918D..); DB57




FLANGE SPECIFICATIONS

MOTOR	L1 (mm)
DB42.., ST42.., ST42..,ST59.. (except for ST5918D..)	6.0
DB57	ON ENQUIRY
DB87	

GEARBOXES SPECIFICATIONS

RATIO	RATED TORQUE (Nm) max.	MAX. TORQUE (Nm) max.	EFFICIENCY (%)	RADIL PLAY OF SHAFT (mm)	THUST PLAY OF SHAFT (mm)	L (mm)	WEIGHT (Kg)	SHAFT AXIAL LOAD (N)	RADIAL LOAD (10mm FROM FLANGE) (N)
1/4	1.5	4.5	85%	≤ 0.04	≤ 0.3	53.0	0.475	100	200
1/15	5.0	15.0	70%			68.5	0.660		
1/53	10.0	30.0	60%			84.0	0.850		
1/100	10.0	30.0	60%			84.0	0.850		

1	POSITION OF SCREW THREAD	01.12.11	J.W.	 Nanotec PLUG & DRIVE	SCALE FREE	APVD	M 1:1	GPLL52+Zwischenflansch	
REV	DESCRIPTION	DATE	APVD		X ±0.5	CHKD	J.W.	14.11.2008	DWG.NO
					1PL ±0.2				
					2PL ±0.1	SIGNATURE	DATE		
					ANGLE ±30'				