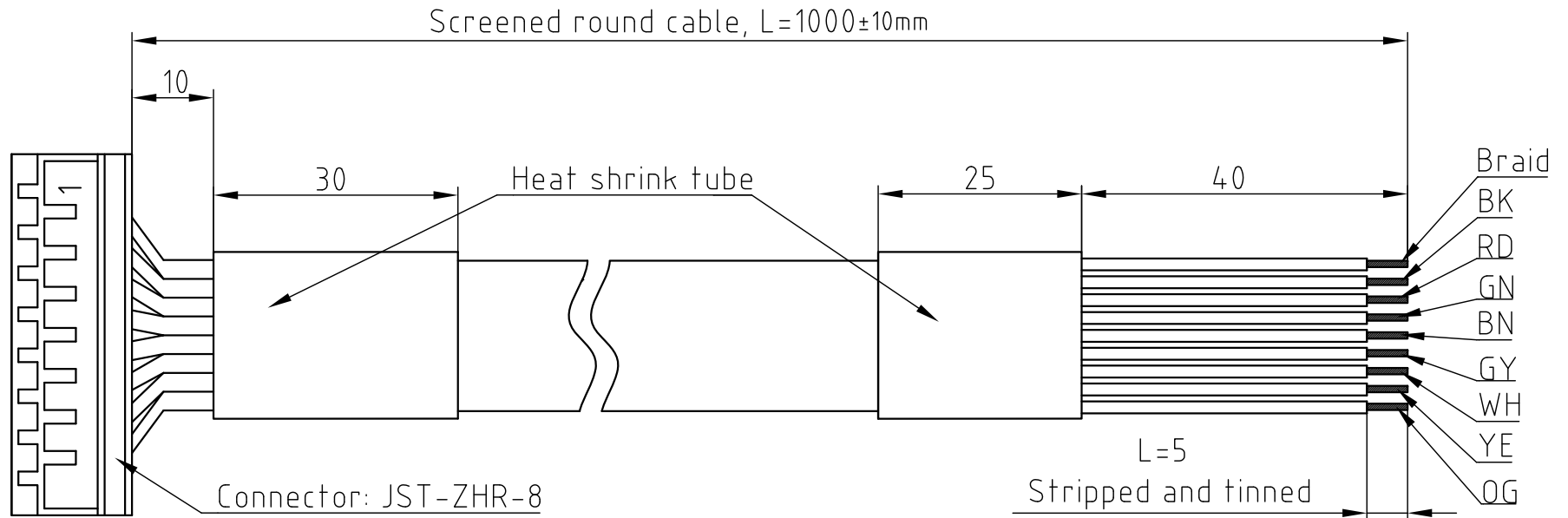


DIMENSION (UNIT : mm)



PIN ASSIGNMENT		
PIN NO.	COLOR	FUNKTION
PIN 1	BK	0 V
PIN 2	RD	V _{cc}
PIN 3	GN	A
PIN 4	BN	A\
PIN 5	GY	B\
PIN 6	WH	B
PIN 7	YE	I\
PIN 8	OG	I

				 Nanotec [®] PLUG & DRIVE	SCALE FREE	APVD	M.S.	28.10.10	ENCODERCABLE-WEDL DWG.NO ZK-WEDL-8-1000-S
1	I AND I\ INTERCHANGED	18.05.11	J.W.		X ±0.5	CHKD			
REV	DESCRIPTION	DATE	APVD	ZK-WEDL-8-1000-S	1PL ±0.2	DRN	J.W.	28.10.10	
					2PL ±0.1	SIGNATURE			
					ANGLE ±30'				