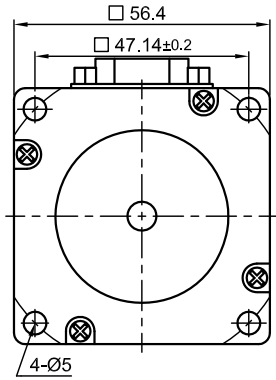
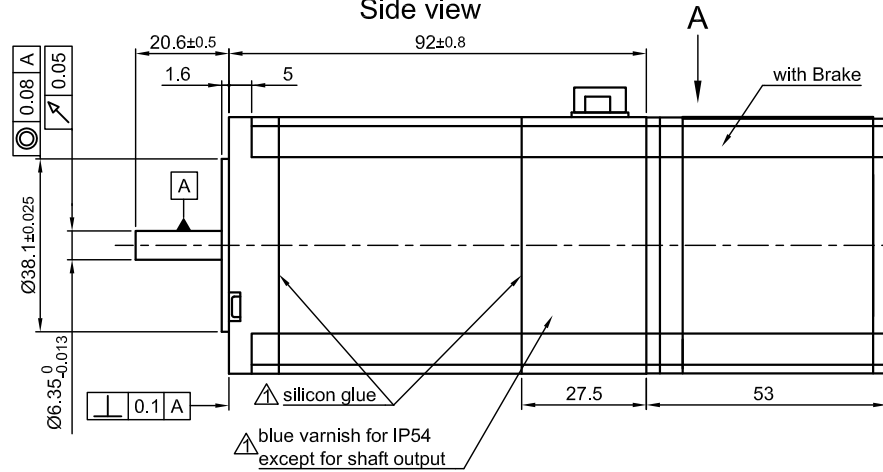


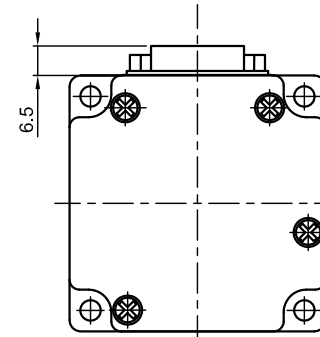
Front view and mounting



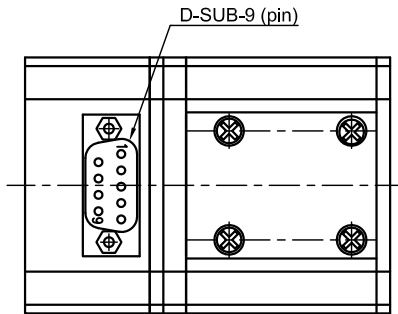
Side view



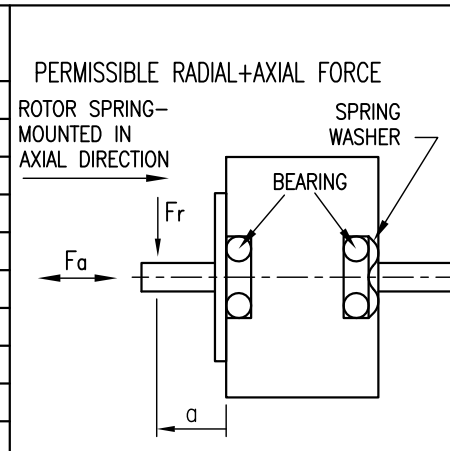
Rear view



Top view A

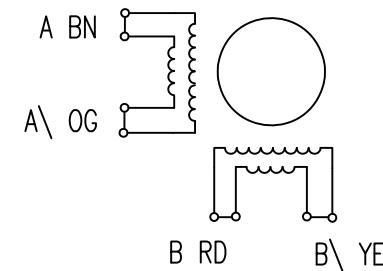


SPECIFICATION	CONNECTION	BIPOLAR PARALLEL
VOLTAGE (VDC)		3.38
AMPS/PHASE		2.82
RESISTANCE/PHASE (Ohms)@25°C		1.2 ± 10%
INDUCTANCE/PHASE (mH) @1KHz		5.1 ± 20%
HOLDING TORQUE (Nm) [lb-in]		1.7 [15.02]
DETENT TORQUE (Nm) [lb-in]		0.068 [0.602]
STEP ANGLE (°) ± ACCURACY		1.8 ± 5% (NON-ACCUM)
BACK-EMF (V) (300 U/min)		29.6
ROTOR INERTIA (Kg-m ²) [lb-in ²]		5.0x10 ⁻⁵ [0.171]
WEIGHT (Kg) [lb]		1.32 [2.91]
TEMPERATURE RISE: MAX.80°C (MOTOR STANDSTILL; FOR 2 PHASE ENERGIZED)		
AMBIENT TEMPERATURE -10°~ 50°C [14°F ~ 122°F]		
INSULATION RESISTANCE 100 MOhm (UNDER NORMAL TEMPERATURE AND HUMIDITY)		
INSULATION CLASS B 130° [266°F]		
DIELECTRIC STRENGTH 500VAC FOR 1 MIN. (BETWEEN THE MOTOR COILS AND THE MOTOR CASE)		
AMBIENT HUMIDITY MAX. 85% (NO CONDENSATION)		



	AXIAL-FORCE Fa (N)	Fa=15			
DISTANCE a (mm)		5	10	15	20
RADIAL-FORCE Fr (N)		130	90	70	52
		AXIAL	RADIAL		
SHAFT PLAY (mm)		0.08	0.02		
AT LOAD MAX: (N)		4.5	4.5		

WIRING DIAGRAM



FULL STEP 2 PHASE-Ex., WHEN FACING MOUNTING END (X)

STEP	A	B	A\	B\	
1	+	+	-	-	↓ CCW ↑ CW
2	-	+	+	-	
3	-	-	+	+	
4	+	-	-	+	

MOTOR D-SUB-9	
PIN	ASSIGNMENT
1	A
2	A\
3	B
4	B\
5	NC
6	NC
7	BRAKE
8	BRAKE/GND
9	NC
HOUSING	GND/SHIELDING

REV	DESCRIPTION	DATE	APVD
1	WITH VARNISH+SILICON	18.02.10	J.W.


Nanotec[®]
 PLUG & DRIVE
 AD5918L2804-B

SCALE	FREE	APVD	S.Ha.	04.08.08
X	±0.5	CHKD		
1PL	±0.2	DRN	J.W.	04.08.08
2PL	±0.1	SIGNATURE		DATE
ANGLE	±30'			

STEPPING MOTOR
 DWG.NO
 AD5918L2804-B