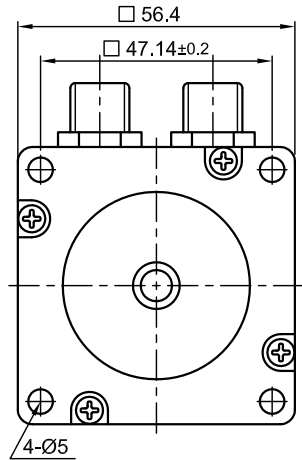
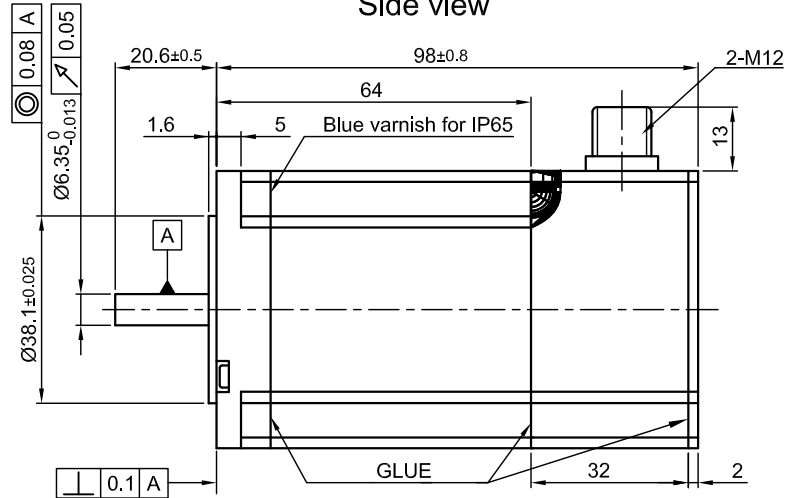


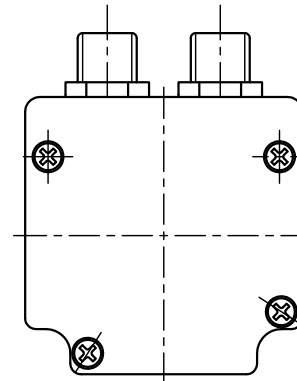
Front view and mounting



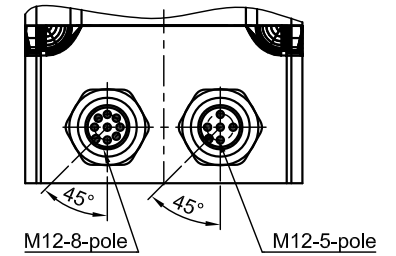
Side view



Rear view



Y view

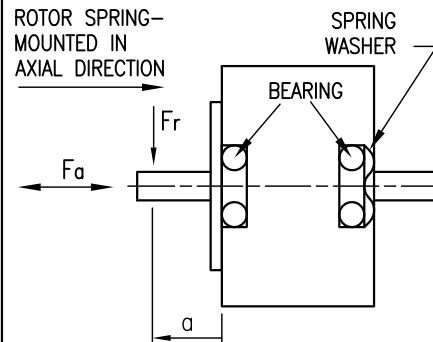


SPECIFICATION	CONNECTION	BIPOLAR PARALLEL
VOLTAGE (VDC)		2.1
AMPS/PHASE		4.2
RESISTANCE/PHASE (Ohms)@25°C		0.5±10%
INDUCTANCE/PHASE (mH) @1KHz		
HOLDING TORQUE (Nm) [lb-in]		1.98 [17.52]
DETENT TORQUE (Nm) [lb-in]		0.068 [0.602]
STEP ANGLE (°) ± ACCURACY		1.8±5% (NON-ACCUM)
BACK-EMF (V) (300 U/min)		20
ROTOR INERTIA (Kg-m ²) [lb-in ²]		4.8x10 ⁻⁵ [0.164]
WEIGHT (Kg) [lb]		1.14 [2.508]

FULL STEP 2 PHASE-Ex., WHEN FACING MOUNTING END (X)

STEP	A	B	A\	B\	CCW	CW
1	+	+	-	-	↓	↑
2	-	+	+	-	↑	↓
3	-	-	+	+	↓	↑
4	+	-	-	+	↑	↓

PERMISSIBLE RADIAL+AXIAL FORCE



TEMPERATURE RISE: MAX.80°C (MOTOR STANDSTILL; FOR 2 PHASE ENERGIZED)	AXIAL-FORCE Fa (N)	Fa=15			
AMBIENT TEMPERATURE -10~ 50°C [14°F ~ 122°F]	DISTANCE a (mm)	5	10	15	20
INSULATION RESISTANCE 100 MOhm (UNDER NORMAL TEMPERATURE AND HUMIDITY)	RADIAL-FORCE Fr (N)	130	90	70	52
INSULATION CLASS B 130° [266°F]		AXIAL	RADIAL		
DIELECTRIC STRENGTH 500VAC FOR 1 MIN. (BETWEEN THE MOTOR COILS AND THE MOTOR CASE)	SHAFT PLAY (mm)	0.08	0.02		
AMBIENT HUMIDITY MAX. 85% (NO CONDENSATION)	AT LOAD MAX: (N)	4.5	4.5		

NO.	WIRE COLOUR	FUNCTION
2	A\	
3	B	
4	B\	
5	GND	
6	I	
7	I\	
8	Vcc (5V)	
HOUSING	GND/SHIELDING	

CABLE ENCODER:
ZK-M12-8-2m(5m)
STRAIGHT OR ∨

REV	DESCRIPTION	DATE	APVD	AS5918L4204-E	SCALE FREE	APVD	S.Ha.	12.12.08	STEPPING MOTOR
3	WIRE COLOUR DELETE	30.09.09	J.W.		X ±0.5	CHKD			
					1PL ±0.2	DRN	J.W.	12.12.08	
					2PL ±0.1	SIGNATURE		DWG.NO	
					ANGLE ±30'			AS5918L4204-E	