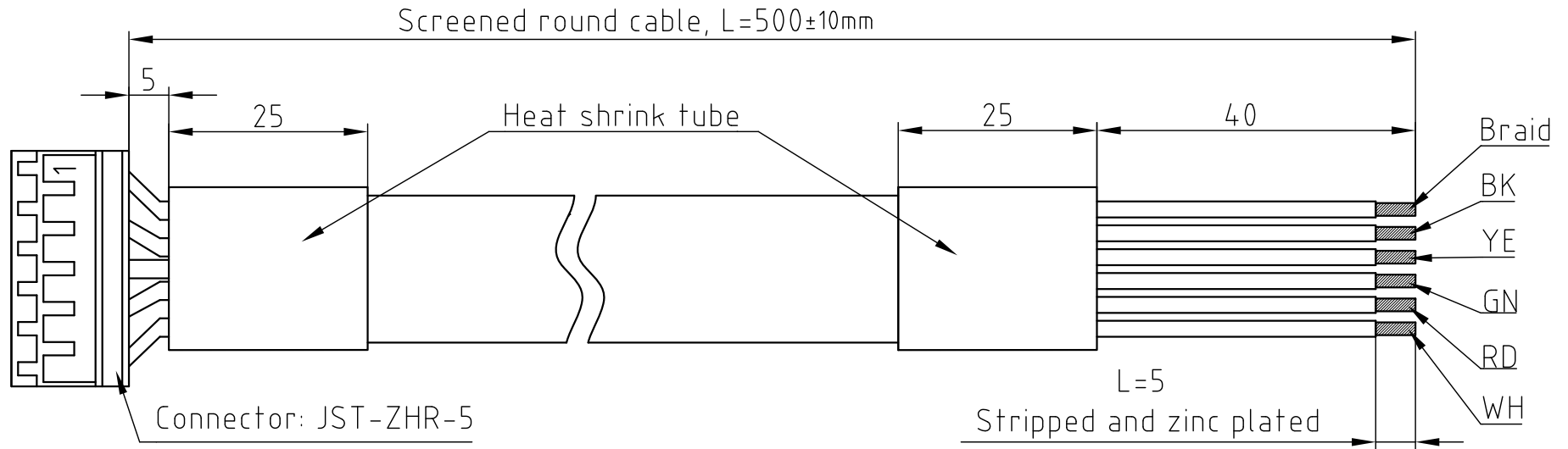


DIMENSION (UNIT : mm)



PIN ASSIGNMENT

PIN NO.	COLOR	FUNKTION
PIN 1	BK	0 V
PIN 2	YE	I
PIN 3	GN	A
PIN 4	RD	Vcc
PIN 5	WH	B

				 Nanotec [®] PLUG & DRIVE	SCALE FREE	APVD	S.R.	08.12.09	ENCODERKABEL-HEDL DWG.NO ZK-WEDS-5-500-S
					X ±0.5	CHKD			
					1PL ±0.2	DRN	J.W.	08.12.09	
REV	DESCRIPTION	DATE	APVD	ZK-WEDS-5-500-S	2PL ±0.1	SIGNATURE	DATE		
					ANGLE ±30'				