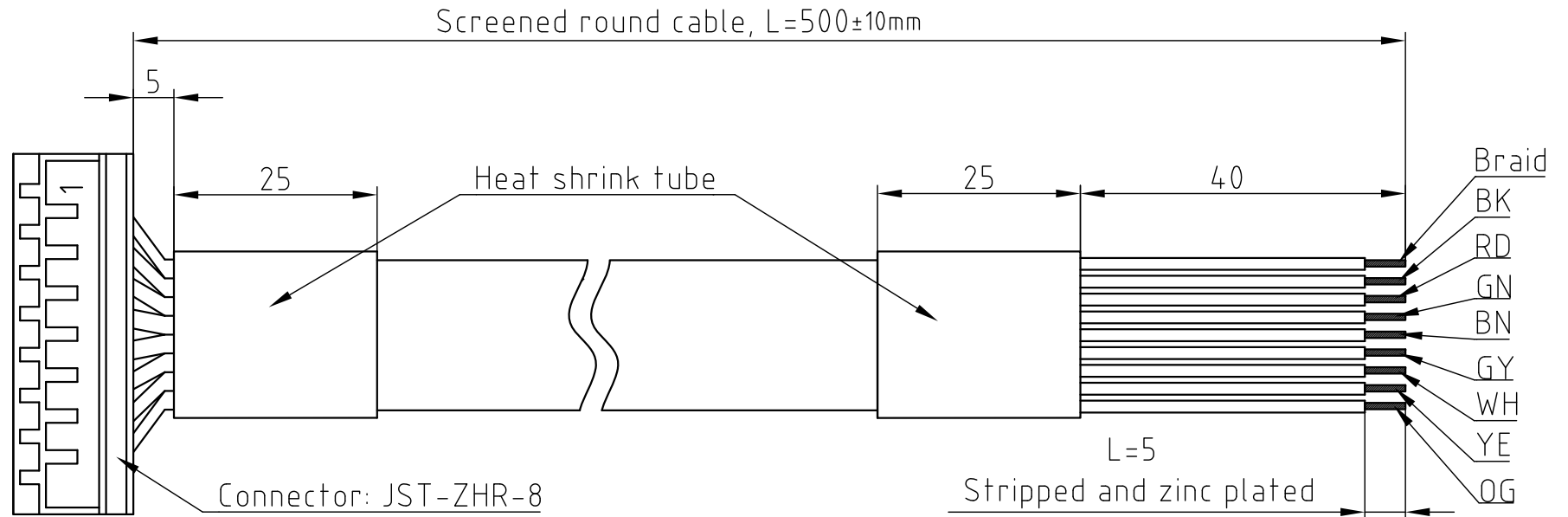


DIMENSION (UNIT : mm)



PIN ASSIGNMENT

PIN NO.	COLOR	FUNKTION
PIN 1	BK	0 V
PIN 2	RD	V <sub>cc</sub>
PIN 3	GN	A
PIN 4	BN	A\
PIN 5	GY	B\
PIN 6	WH	B
PIN 7	YE	I
PIN 8	OG	I\



ZK-WEDL-8-500-S

SCALE FREE  
X ±0.5  
1PL ±0.2  
2PL ±0.1  
ANGLE ±30'

APVD  
CHKD  
DRN  
SIGNATURE

S.Ha.  
J.W.

08.12.09  
08.12.09  
DATE

**ENCODERKABEL-HEDL**

DWG.NO

ZK-WEDL-8-500-S

REV	DESCRIPTION	DATE	APVD