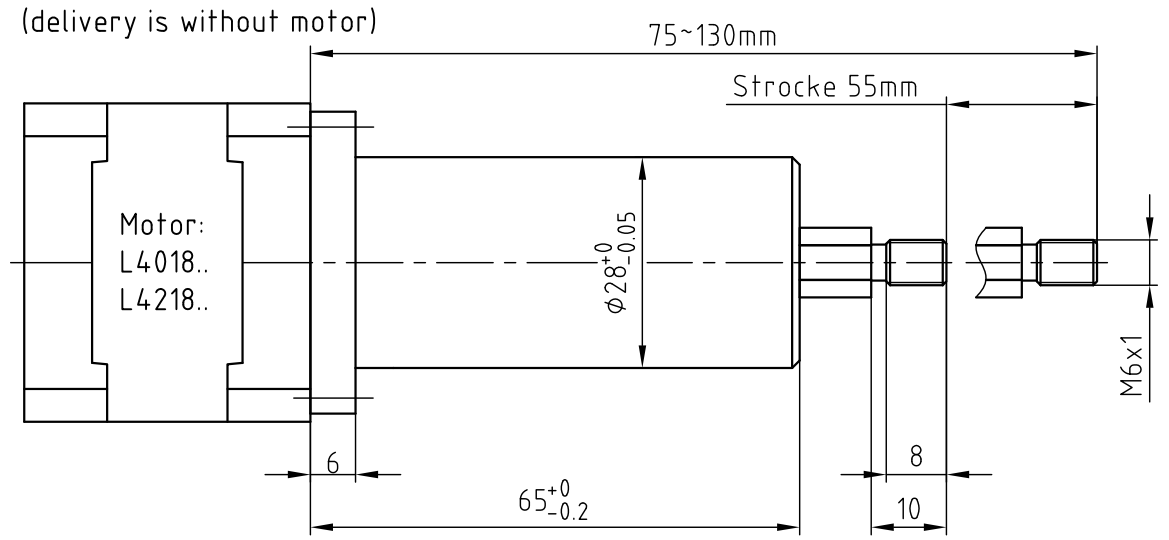
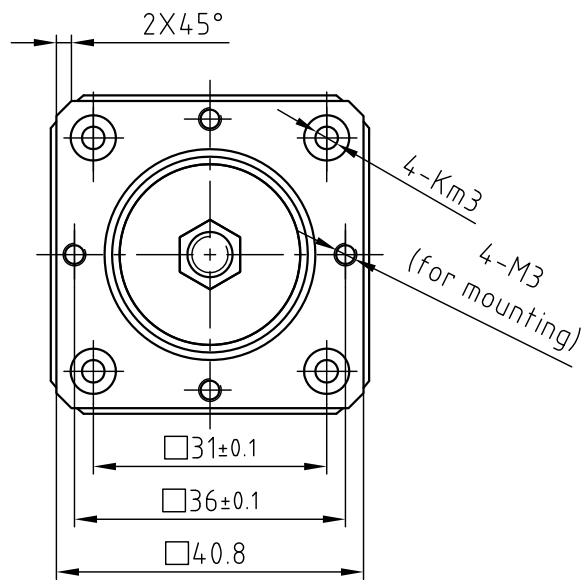


DIMENSION (UNIT : mm)



	DIN 2768-m		
	Material:AlCuMgPb		
REV	DESCRIPTION	DATE	APVD



MOTOR+VERDREHSICHERUNG

SCALE FREE	APVD	1:1
X ±0.5	CHKD	
1PL ±0.2	DRN	J.W.
2PL ±0.1	SIGNATURE	DATE
ANGLE ±30'		

VERDREHSICHERUNG	
DWG.NO	MK-VD-42