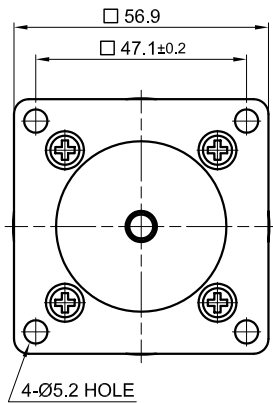
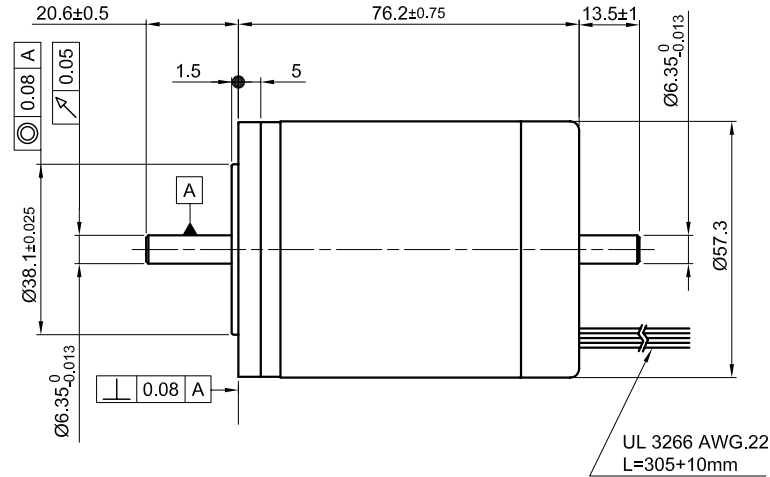


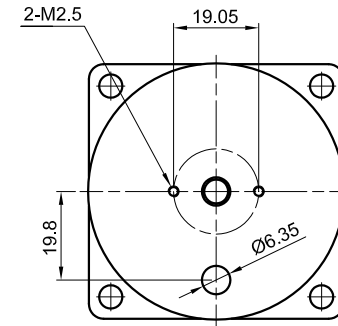
Front view and mounting



Side view



Rear view



SPECIFICATION		CONNECTION	STAR	PERMISSIBLE RADIAL+AXIAL FORCE		WIRING DIAGRAM																																													
VOLTAGE RATED/PEAK (VDC)		24				MOTOR 2 POL.		PIN	COLOR	FUNCTION	Dir. ← →																																								
CURRENT RATED/PEAK (AMP)		4.67/17.67				6		BLU	U	X	HI	HI	X	LOW	LOW																																				
RESISTANCE/PHASE TO PHASE (Ohms) @25°C		0.8±15%				7		WHT	V	HI	X	LOW	LOW	X	HI																																				
INDUCTANCE/PHASE TO PHASE (mH) @1KHz		1.05±20%				8		BRN	W	LOW	LOW	X	HI	HI	X																																				
TORQUE RATED/PEAK (Nm) [lb-in]		0.28/1.06 [2.478/9.381]				<table border="1"> <tr> <td colspan="2">AXIAL-FORCE Fa (N)</td> <td colspan="2">n.a.</td> </tr> <tr> <td colspan="2">DISTANCE a (mm)</td> <td colspan="2">n.a.</td> </tr> <tr> <td colspan="2">RADIAL-FORCE Fr (N)</td> <td colspan="2">n.a.</td> </tr> <tr> <td colspan="2" rowspan="2">SHAFT PLAY (mm)</td> <td>AXIAL</td> <td>RADIAL</td> </tr> <tr> <td colspan="2">n.a.</td> </tr> <tr> <td colspan="2">AT LOAD MAX: (N)</td> <td colspan="2">n.a.</td> </tr> </table>		AXIAL-FORCE Fa (N)		n.a.		DISTANCE a (mm)		n.a.		RADIAL-FORCE Fr (N)		n.a.		SHAFT PLAY (mm)		AXIAL	RADIAL	n.a.		AT LOAD MAX: (N)		n.a.		HALL 12 IMPL. REV.		1	ORG	+5V																	
AXIAL-FORCE Fa (N)		n.a.																																																	
DISTANCE a (mm)		n.a.																																																	
RADIAL-FORCE Fr (N)		n.a.																																																	
SHAFT PLAY (mm)		AXIAL	RADIAL																																																
		n.a.																																																	
AT LOAD MAX: (N)		n.a.																																																	
TORQUE/VOLTAGE CONSTANT (Nm/A)/[(V/red/sec)]		0.06/0.06		2		YEL	H1	0	0	0	1	1	1																																						
POWER RATED (W)		75		3		GRY	H2	0	1	1	1	0	0																																						
SPEED RATED/NO LOAD (U/min)		2740/3700		4		GRN	H3	1	1	0	0	0	1																																						
ROTOR INERTIA (Kg-m²) [lb-in²]		3.3x10 ⁻⁵ [0.113]		5		BLK	GND																																												
WEIGHT (Kg) [lb]		1.1 [2.43]		6		YEL	A	<table border="1"> <tr> <td colspan="2">ENCODER</td> <td>6</td> <td>YEL</td> <td>A</td> <td colspan="8" rowspan="11"> </td> </tr> <tr> <td colspan="2"></td> <td>7</td> <td>BRN</td> <td>A\</td> </tr> <tr> <td colspan="2"></td> <td>8</td> <td>GRY</td> <td>B</td> </tr> <tr> <td colspan="2"></td> <td>9</td> <td>GRY/PINK</td> <td>B\</td> </tr> <tr> <td colspan="2"></td> <td>10</td> <td>VIOLET</td> <td>I</td> </tr> <tr> <td colspan="2"></td> <td>11</td> <td>RED/BLU</td> <td>I\</td> </tr> </table>						ENCODER		6	YEL	A											7	BRN	A\			8	GRY	B			9	GRY/PINK	B\			10	VIOLET	I			11	RED/BLU	I\
ENCODER		6	YEL	A																																															
		7	BRN	A\																																															
		8	GRY	B																																															
		9	GRY/PINK	B\																																															
		10	VIOLET	I																																															
		11	RED/BLU	I\																																															
TEMPERATURE RISE: MAX.80°C				7										BRN	A\																																				
AMBIENT TEMPERATURE -10°~ 50°C [14°F ~ 122°F]				8										GRY	B																																				
INSULATION RESISTANCE 100 MOhm (UNDER NORMAL TEMPERATURE AND HUMIDITY)				9										GRY/PINK	B\																																				
INSULATION CLASS B 130° [266°F]				10										VIOLET	I																																				
DIELECTRIC STRENGTH 500VAC FOR 1 MIN. (BETWEEN THE MOTOR COILS AND THE MOTOR CASE)				11									RED/BLU	I\																																					
AMBIENT HUMIDITY MAX. 85% (NO CONDENSATION)																																																			
NANOTEC:				SCALE FREE		APVD		S.Ha.		19.06.07		BRUSHLESS DC MOTOR																																							
DB57L01				X ±0.5		CHKD																																													
				1PL ±0.2		DRN		J.W.		18.10.06		DWG.NO																																							
REV				2PL ±0.1		SIGNATURE		DATE		DB57L01																																									
DESCRIPTION				ANGLE ±30'																																															
DATE																																																			
APVD																																																			